

Inverter-controlled units with two vertical multistage pumps.

PUMP FEATURES

FIELD OF USE

- Maximum working pressure: 11 bar
- Maximum temperature of the liquid: 40°C

MATERIALS

- Cast iron pump body and motor support
- External casing in AISI 304
- Impeller and nozzle in PPE+PS reinforced with fibreglass
- Shaft in AISI 416

TECHNICAL DATA

- Self-ventilated 2 pole asynchronous motor
- Class of insulation F
- IP44 Protection rating
- 230V $\pm 10\%$, 50Hz single phase voltage, 230/400V $\pm 10\%$, 50Hz three phase voltage
- Permanent capacitor inserted and thermo-amperometric protection with automatic reset incorporated for the single phase motor

TYPICAL APPLICATIONS

The base of the group is in galvanised steel as are the manifolds. The discharge manifold is set-up to gather any two vertical type membrane reservoirs. Two pressure switches, the electric control panel and a pressure gauge are mounted on it. On suction, each electric pump has an isolating valve and a non-return valve, with the possibility of connection to an air supply unit and has another isolating valve in discharge mode

TECHNICAL FEATURES

The HERTZ TWIN control panel is an automatic control and protection system for two centrifugal pumps equipped with three phase induction motor. The control panel power supply can be three phase or single phase. The HERTZ TWIN control panels include a pump control software and allow regulation of motor speed via an electronic frequency changer (Inverter) that powers the pump motor. On varying the rotation speed, the pump performance varies in terms of flow rate and head, allowing optimal use in every condition and saving energy.

ADVANTAGES

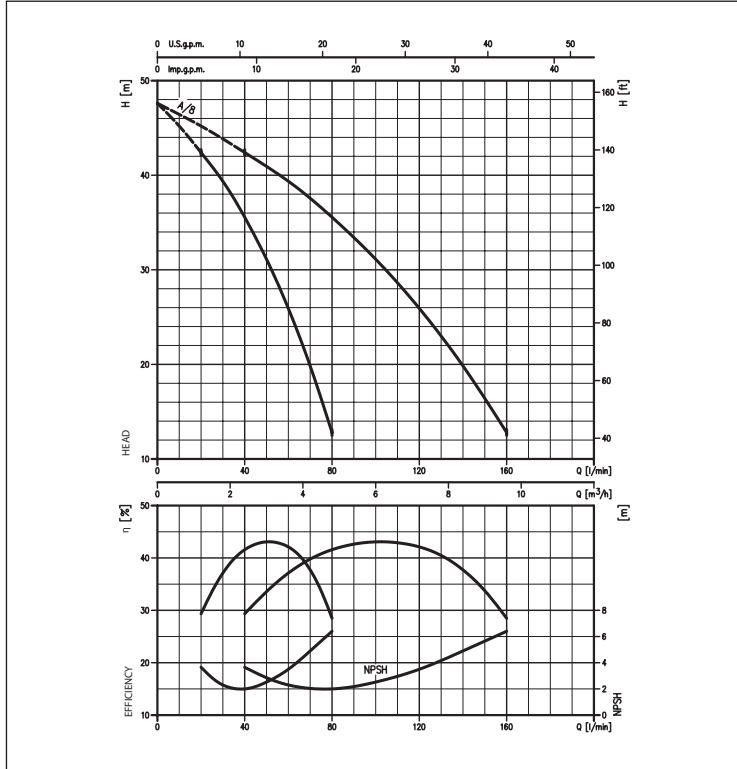
- Energy saving because the controller modulates the pump according to the hydraulic energy request of the plant with respect to a direct connection in the network
- Improved and quicker regulation
- Hammering reduced thanks to gradual start-up and stop
- Improved comfort in the heating, air conditioning and pressure boosting systems
- Reduced peak current
- Exchange at every powered pump re-start
- Speed modulation on both pumps for excellent regulation

The typical applications of the GPE range pressure boosters with control panels are:

- Water provisioning for condominium, school, hotel hospital distribution networks etc.
- Water provisioning for industry in general
- Irrigation of gardens, parks and sports centres

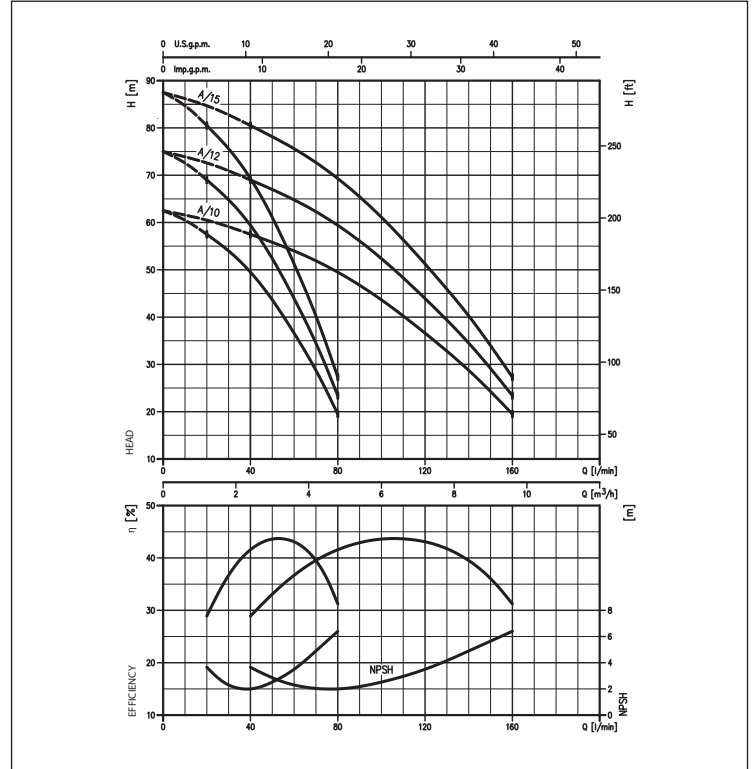
2GPE CVM A 8 range PERFORMANCE CURVES

(according to ISO 9906 Attachment A)



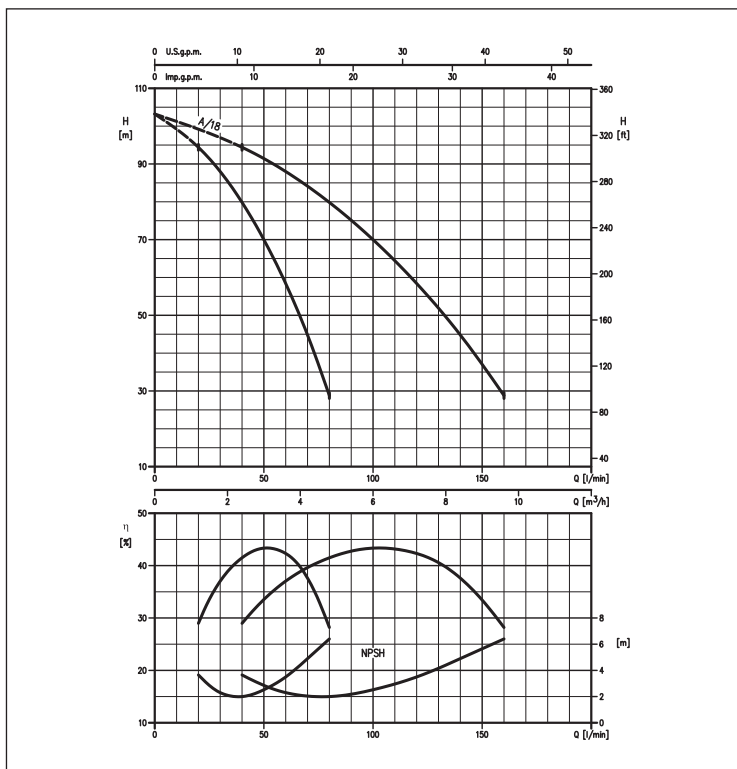
2GPE CVM A 10 - A 12 - A 15 range PERFORMANCE CURVES

(according to ISO 9906 Attachment A)



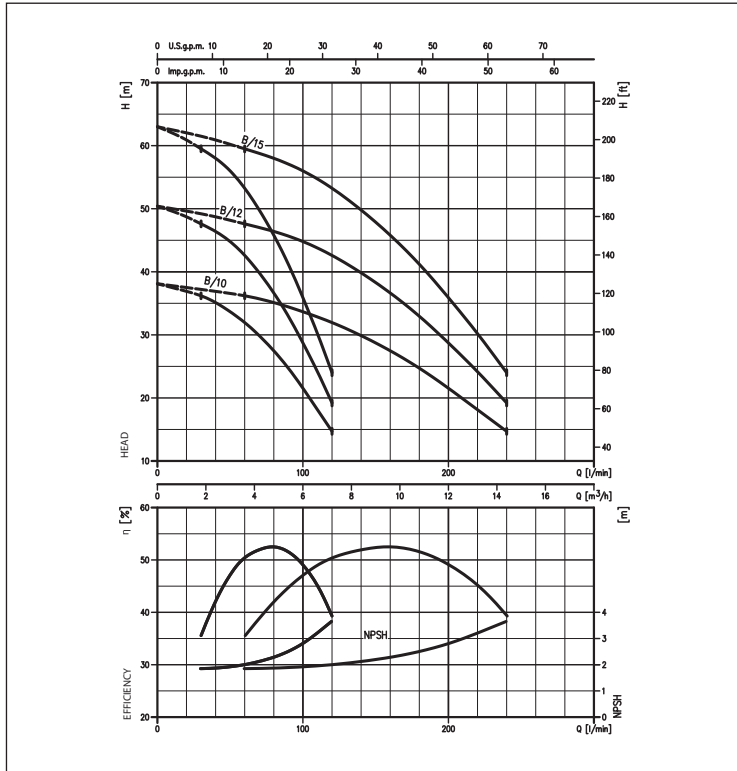
2GPE CVM A 18 range PERFORMANCE CURVES

(according to ISO 9906 Attachment A)



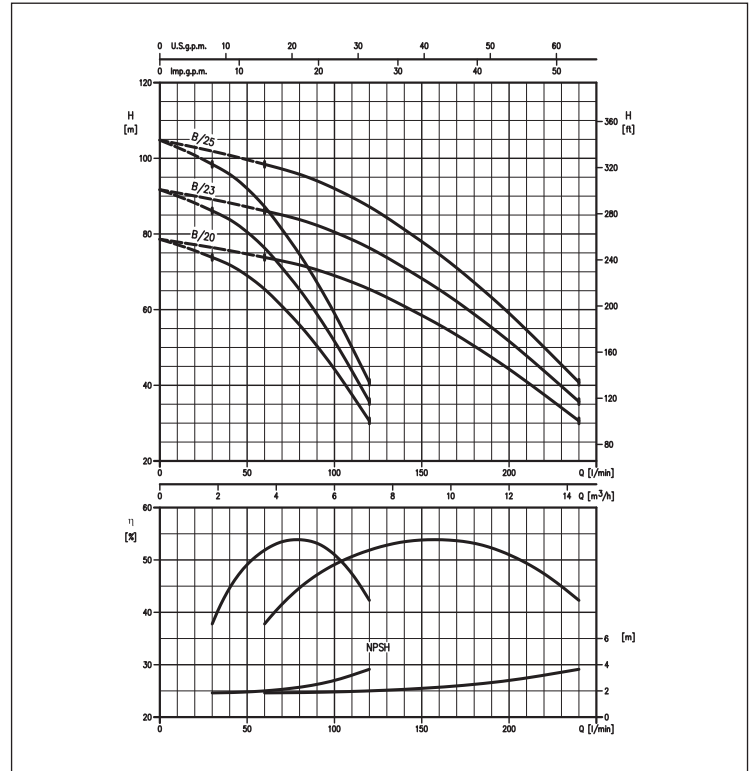
2GPE CVM B 10 - B 12 - B 15 range PERFORMANCE CURVES

(according to ISO 9906 Attachment A)



2GPE CVM B 20 - B 23 - B 25 range PERFORMANCE CURVES

(according to ISO 9906 Attachment A)



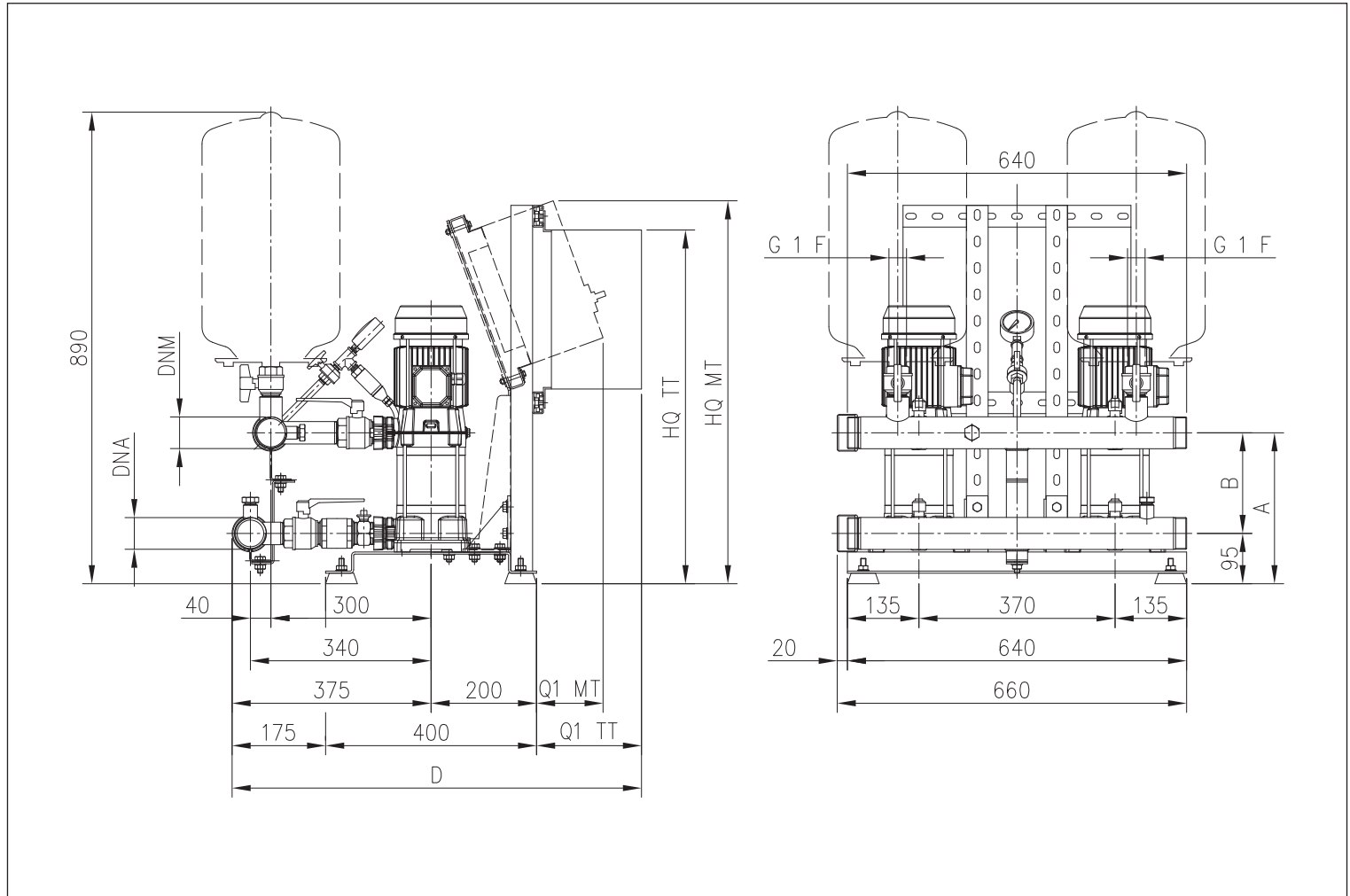
PERFORMANCE TABLE AND ELECTRIC DATA OF THE TWO PUMPS FUNCTIONING SIMULTANEOUSLY

Model	230V single phase	400V three-phase	Max absorption [kW]	Max absorption [A]		Q=Flow rate								
				230V single phase	400V three-phase	l/min	40	60	80	100	120	160	200	240
						m³/h	2,4	3,6	4,8	6	7,2	9,6	12	14,4
							H=Head [m]							
CVM AM/8	CVM A/8	0,6+0,6	8	3,2		42,5	39,4	35,6	31,1	25,9	12,8	-	-	-
CVM AM/10	CVM A/10	0,75+0,75	12	4,6		57,5	54,0	49,5	43,5	36,6	19,5	-	-	-
CVM AM/12	CVM A/12	0,9+0,9	13	5,6		69,0	65,0	59,5	52,5	44,0	23,4	-	-	-
CVM AM/15	CVM A/15	1,1+1,1	14,4	6,6		80,5	75,5	69,5	61,0	51,0	27,3	-	-	-
CVM AM/18	CVM A/18	1,3+1,3	15,6	6,2		94,5	88,0	80,0	70,0	58,5	28,8	-	-	-
CVM BM/10	CVM B/10	0,75+0,75	11,2	4,8	-	-	36,2	35,1	33,7	32,0	27,5	21,6	14,7	
CVM BM/12	CVM B/12	0,9+0,9	12,4	5,4	-	-	48,0	46,8	45,0	42,6	36,6	28,8	19,6	
CVM BM/15	CVM B/15	1,1+1,1	14,8	6,4	-	-	60,5	58,5	56,2	53,3	45,8	36,0	24,5	
CVM BM/20	CVM B/20	1,5+1,5	16,6	6,6	-	-	74,0	72,0	69,0	65,5	56,0	44,5	30,6	
CVM BM/23	CVM B/23	1,7+1,7	19,2	8,6	-	-	86,0	84,0	80,5	76,5	65,5	51,5	35,7	
-	CVM B/25	1,85+1,85	-	8,6	-	-	98,5	96,0	92,0	87,0	74,5	59,0	41,0	

2GPE CVM

DOMESTIC PRESSURE BOOSTING

DIMENSIONS



DIMENSIONS TABLE

Model	Dimensions [mm]											Weight [kg]		
	A	B	R	MT	D	TT	DNA	DNM	MT	HQ	TT	MT	TT	MT
2GPE CVM A(M)8 TWIN	260	165	865	700	775	775	G2	G2	725	670	125	200	76,0	81,0
2GPE CVM A(M)10 TWIN	285	190	890	700	775	775	G2	G2	725	670	125	200	80,0	85,0
2GPE CVM A(M)12 TWIN	310	215	915	700	775	775	G2	G2	725	670	125	200	81,0	86,0
2GPE CVM A(M)15 TWIN	335	240	940	700	775	775	G2	G2	725	670	125	200	82,0	87,0
2GPE CVM A(M)18 TWIN	365	270	970	700	775	775	G2	G2	725	670	125	200	73,0	78,0
2GPE CVM B(M)10 TWIN	235	140	840	700	775	775	G2	G2	725	670	125	200	79,0	84,0
2GPE CVM B(M)12 TWIN	260	165	865	700	775	775	G2	G2	725	670	125	200	80,0	85,0
2GPE CVM B(M)15 TWIN	285	190	890	700	775	775	G2	G2	725	670	125	200	81,0	86,0
2GPE CVM B(M)20 TWIN	310	215	915	700	775	775	G2	G2	725	670	125	200	87,0	92,0
2GPE CVM B(M)23 TWIN	335	240	940	-	775	775	G2	G2	-	670	-	200	-	96,0
2GPE CVM B25 TWIN	365	270	970	-	775	775	G2	G2	-	670	-	200	-	98,0