

Inverter-controlled units with two horizontal multistage pumps.

PUMP FEATURES

FIELD OF USE

- Maximum working pressure: 10 bar
- Maximum temperature of the liquid: 40°C

MATERIALS

- Cast iron pump body and support
- External casing in AISI 304
- Technopolymer impeller and nozzle
- Shaft in AISI 416

TECHNICAL DATA

- Self-ventilated 2 pole asynchronous motor
- Class of insulation F
- IP44 Protection rating
- 230V $\pm 10\%$, 50Hz single phase voltage, 230/400V $\pm 10\%$, 50Hz three phase voltage
- Permanent capacitor inserted and thermo-amperometric protection with automatic reset incorporated for the single phase motor
- Protection under user's responsibility for the three phase version

TYPICAL APPLICATIONS

The base of the group is in galvanised steel as are the manifolds. The discharge manifold is set-up to gather any two vertical type membrane reservoirs. Two pressure switches, the electric control panel and a pressure gauge are mounted on it. On suction, each electric pump has an isolating valve and a non-return valve, with the possibility of connection to an air supply unit and has another isolating valve in discharge mode.

TECHNICAL FEATURES

The HERTZ TWIN control panel is an automatic control and protection system for two centrifugal pumps equipped with three phase induction motor. The control panel power supply can be three phase or single phase. The HERTZ TWIN control panels include a pump control software and allow regulation of motor speed via an electronic frequency changer (Inverter) that powers the pump motor. On varying the rotation speed, the pump performance varies in terms of flow rate and head, allowing optimal use in every condition and saving energy.

ADVANTAGES

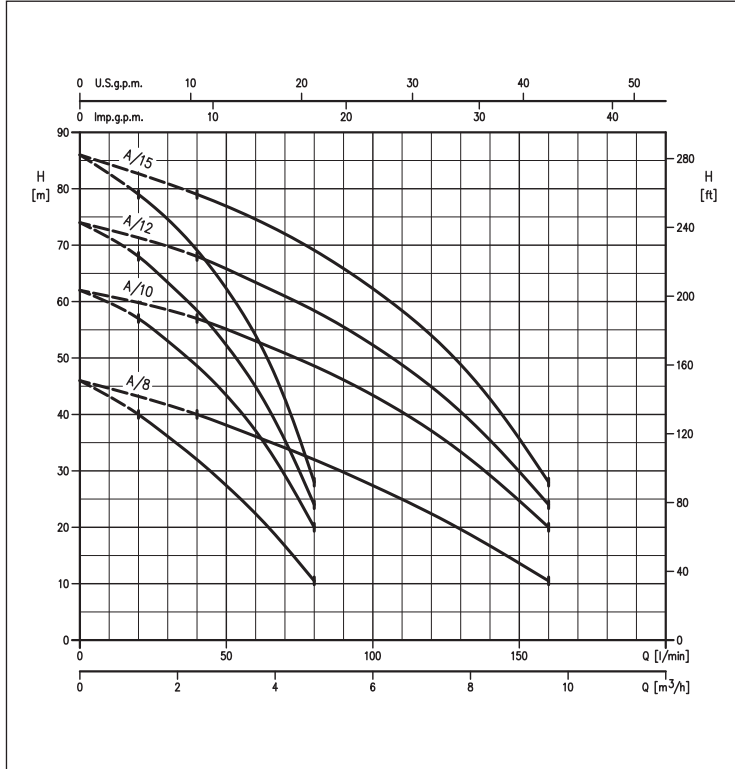
- Energy saving because the controller modulates the pump according to the hydraulic energy request of the plant with respect to a direct connection in the network
- Improved and quicker regulation
- Hammering reduced thanks to gradual start-up and stop
- Improved comfort in the heating, air conditioning and pressure boosting systems
- Reduced peak current
- Exchange at every powered pump re-start
- Speed modulation on both pumps for excellent regulation

The typical applications of the GPE range pressure boosters with control panels are:

- Water provisioning for condominium, school, hotel hospital distribution networks etc.
- Water provisioning for industry in general
- Irrigation of gardens, parks and sports centres

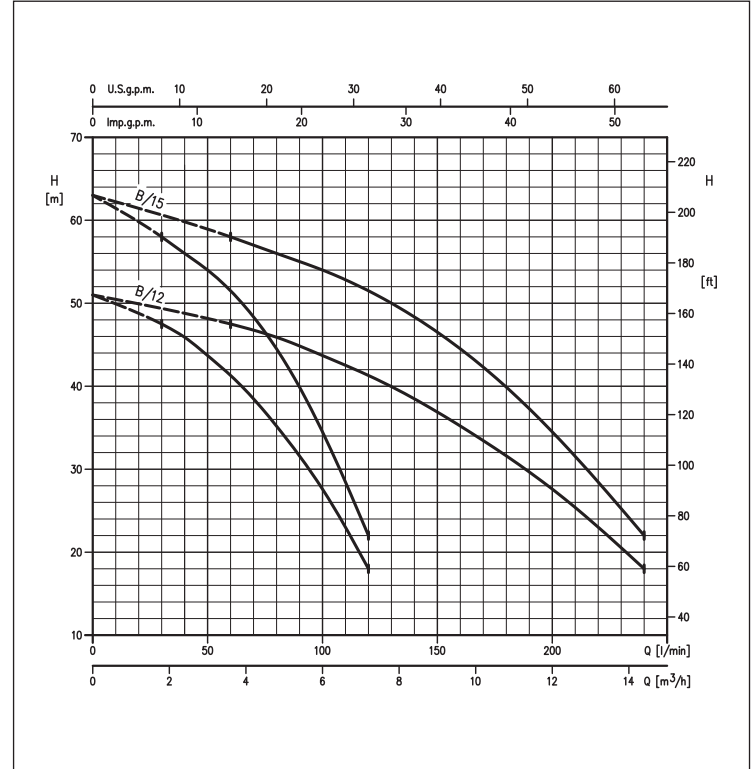
2GPE COMPACT A range PERFORMANCE CURVES

(according to ISO 9906 Attachment A)



GPE COMPACT B range PERFORMANCE CURVES

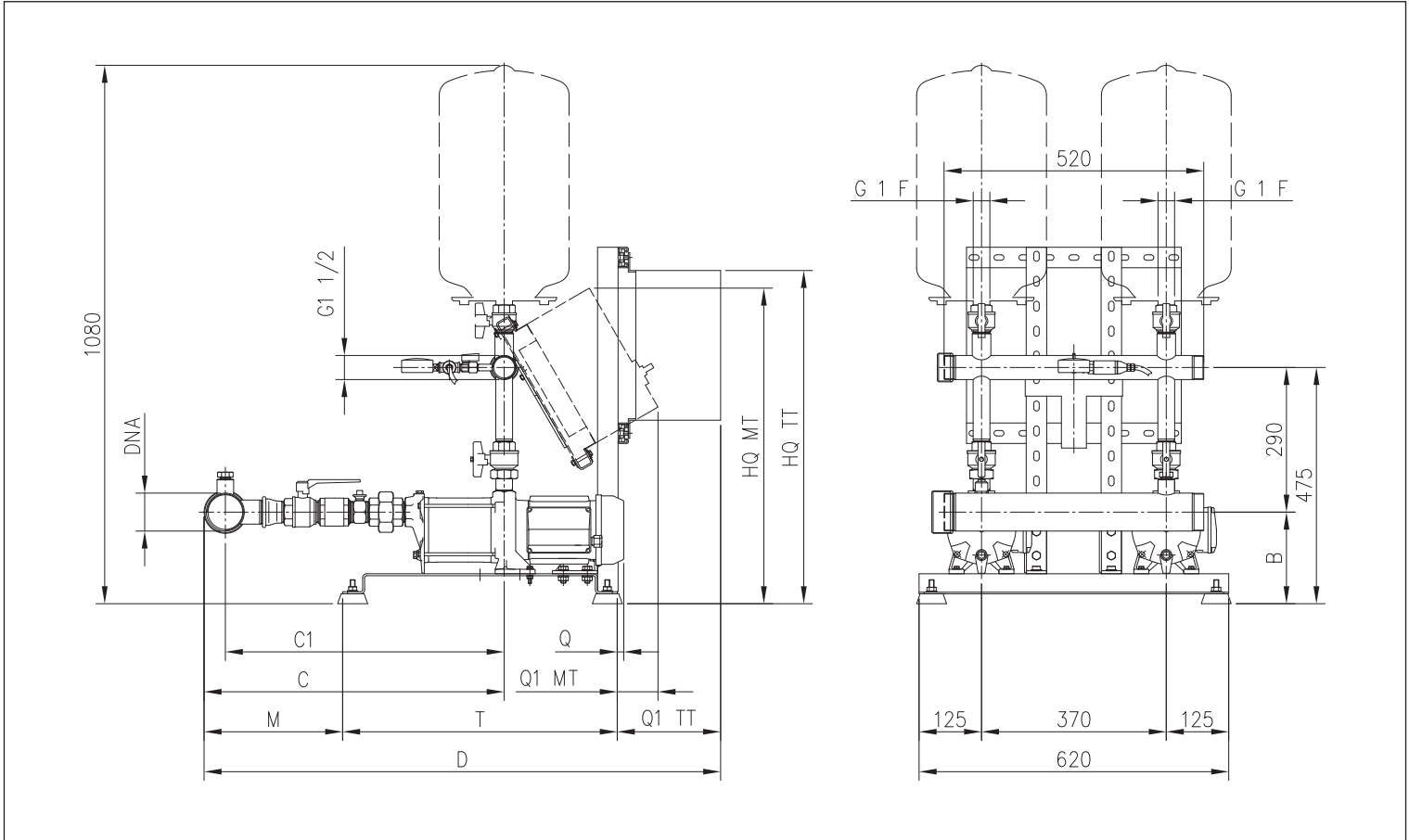
(according to ISO 9906 Attachment A)



PERFORMANCE TABLE AND ELECTRIC DATA OF THE TWO PUMPS FUNCTIONING SIMULTANEOUSLY

Model	230V single phase	400V three-phase	Max absorption [kW]	Max absorption [A]		Q=Flow rate						
				230V single phase	400V three-phase	l/min	40	80	120	160	200	240
						m³/h	2,4	4,8	7,2	9,6	12	14,4
							H=Head [m]					
COMPACT AM 8	COMPACT A 8	0,60 + 0,6	8	3	39,7	32,0	22,4	10,5	-	-	-	-
COMPACT AM 10	COMPACT A 10	0,75 + 0,75	12	4,8	56,5	48,6	37,1	20,0	-	-	-	-
COMPACT AM 12	COMPACT A 12	0,88 + 0,88	12,4	5,4	67,5	58,4	44,9	24,0	-	-	-	-
COMPACT AM 15	COMPACT A 15	1,1 + 1,1	14,6	6,6	79,0	69,1	54,0	28,0	-	-	-	-
COMPACT BM 12	COMPACT B 12	0,88 + 0,88	11,6	5,4	-	45,9	41,3	35,2	27,6	18,0	-	-
COMPACT BM 15	COMPACT B 15	1,1 + 1,1	14,6	6,8	-	56,0	51,5	44,5	34,5	22,0	-	-

DIMENSIONS



DIMENSIONS TABLE

Model	B	B1	C	C1	Dimensions [mm]												Weight [kg]		
					D		DNA	M		T		Q		Q1		HQ		MT	TT
					MT	TT			MT	TT	MT	TT	MT	TT	MT	TT	MT	TT	MT
2GPE COMPACT A(M)8 TWIN	190	285	525	490	885	980	G2	270	225	380	550	65	-	185	205	630	670	67,0	82,0
2GPE COMPACT A(M)10 TWIN	185	290	555	520	910	1005	G2	295	250	380	550	105	-	185	205	630	670	76,0	91,0
2GPE COMPACT A(M)12 TWIN	185	290	580	545	935	1030	G2	320	275	380	550	105	-	185	205	630	670	78,0	93,0
2GPE COMPACT A(M)15 TWIN	185	290	605	570	960	1055	G2	345	300	380	550	120	-	185	205	630	670	80,0	95,0
2GPE COMPACT B(M)12 TWIN	185	290	575	530	930	1025	G2½	315	270	380	550	105	-	185	205	630	670	79,0	94,0
2GPE COMPACT B(M)15 TWIN	185	290	600	560	960	1055	G2½	345	300	380	550	120	-	185	205	630	670	81,0	96,0