

1GP H_DOMESTIC PRESSURE BOOSTING



Booster units with single phase electric pumps complete with pressure switch, pressure gauge, brass fitting, flexible pipe, expansion vessel and power supply cable.

APPLICATIONS

- Domestic pressure boosting
- Small-scale garden irrigation
- Washing vehicles
- Moving clean water in general

TECHNICAL DETAILS

- Available in the following versions:
 - with cast iron self-priming electric pumps (AGA)
 - with steel self-priming electric pumps (JEX)

PERFORMANCE TABLE

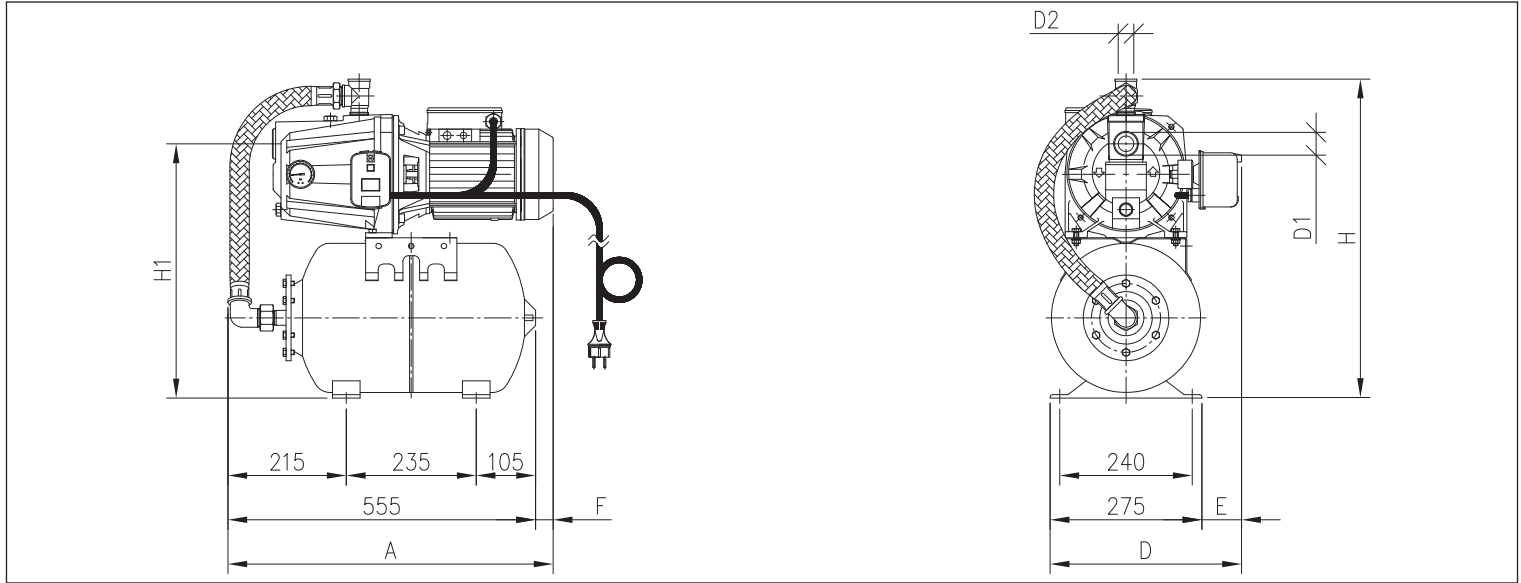
Model	P ₂		Q [m ³ /h]	Performance	H [m]
	[HP]	[kW]			
1GP AGA 0.75 M - 24H	0,75	0,55	0,3÷1,2÷3,0		45,0÷37,9÷18,0
1GP AGA 1.00 M - 24H	1	0,75	0,3÷1,8÷3,6		47,5÷35,7÷23,0
1GP AGA/A 1.50 M - 24H	1,5	1,1	0,6÷2,7÷6,0		48,0÷38,6÷27,0
1GP JEXM/A 80 - 24H	0,8	0,6	1,2÷3,0÷4,5		33,0÷23,5÷18,0
1GP JEXM/A 100 - 24H	1	0,75	1,2÷3,0÷4,5		37,0÷27,0÷21,0
1GP JEXM/A 120 - 24H	1,2	0,9	1,2÷3,0÷4,5		41,0÷30,5÷24,5
1GP JEXM/A 150 - 24H	1,5	1,1	1,2÷3,0÷4,7		49,0÷37,0÷29,5

TABLE OF TECHNICAL DATA

Model	P ₂		Absorbed Current [A] Single phase 230V	Suction connection	Discharge connection
	[HP]	[kW]			
1GP AGA 0.75 M - 24H	0,75	0,55	4	G1	G1
1GP AGA 1.00 M - 24H	1	0,75	5,5	G1	G1
1GP AGA/A 1.50 M - 24H	1,5	1,1	8,1	G1½	G1
1GP JEXM/A 80 - 24H	0,8	0,6	4,7	G1¼	G1
1GP JEXM/A 100 - 24H	1	0,75	6,4	G1¼	G1
1GP JEXM/A 120 - 24H	1,2	0,9	6,7	G1¼	G1
1GP JEXM/A 150 - 24H	1,5	1,1	7,6	G1¼	G1

For further information, consult this catalogue (pages relative to the electric pumps indicated in the table)

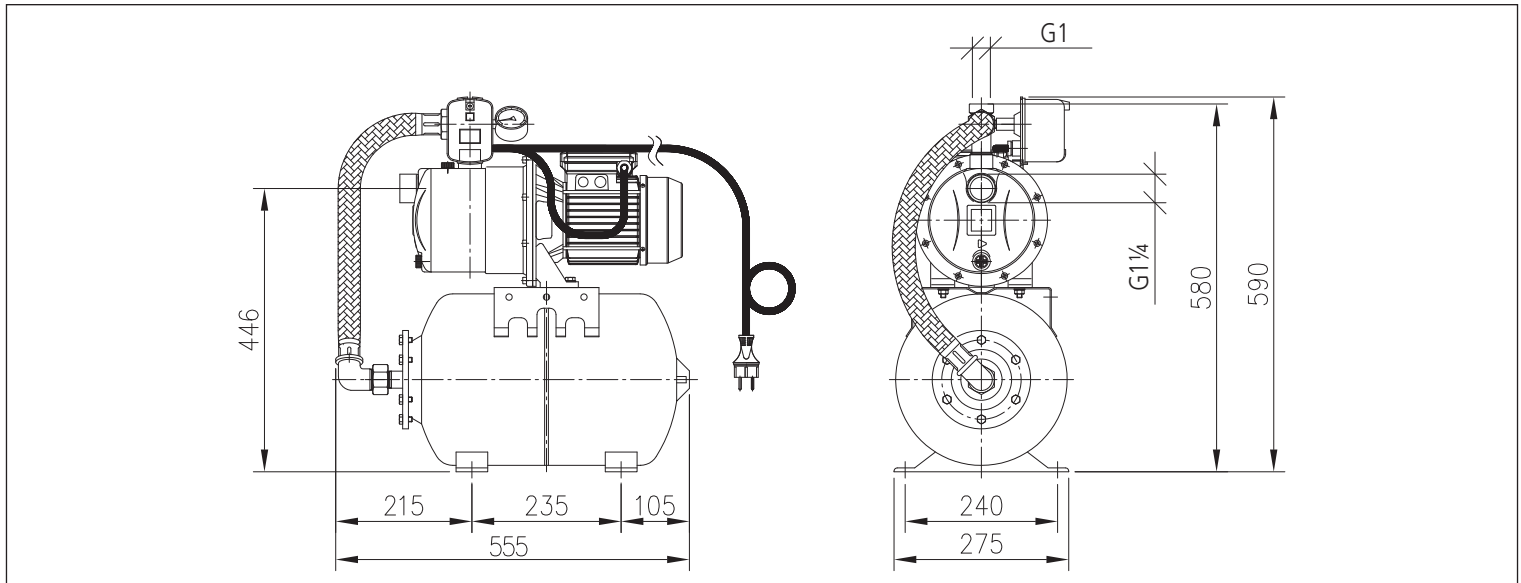
1GP H AGAM DIMENSIONS



DIMENSIONS TABLE

Model	Dimensions [mm]						D ₁	D ₂	Weight [kg]
	A	D	E	F	H	H1			
1GP AGA 0.75 M - 24H	555	330	55	-	540	442	G1	G1	20,0
1GP AGA 1.00 M - 24H	555	330	55	-	540	442	G1	G1	21,0
1GP AGA/A 1.50 M - 24H	575	350	75	20	575	460	G1½	G1	33,0

1GP H JEXM DIMENSIONS



WEIGHT TABLE

Model	Weight [kg]
1GP JEXM/A 80 - 24H	17,5
1GP JEXM/A 100 - 24H	17,5
1GP JEXM/A 120 - 24H	18,5
1GP JEXM/A 150 - 24H	21,0