

CENTRIFUGAL PUMPS - SINGLE IMPELLER in AISI 304

Single impeller centrifugal pumps with hydraulic components made of stainless steel AISI 304 particularly suitable for refrigeration, air-conditioning and heating systems, chillers, washing systems and for residential, commercial and industrial water supply.



SPECIFICATIONS

- Maximum working pressure: 8 bar
- Maximum liquid temperature: -15°C to 90°C +110°C (H version)

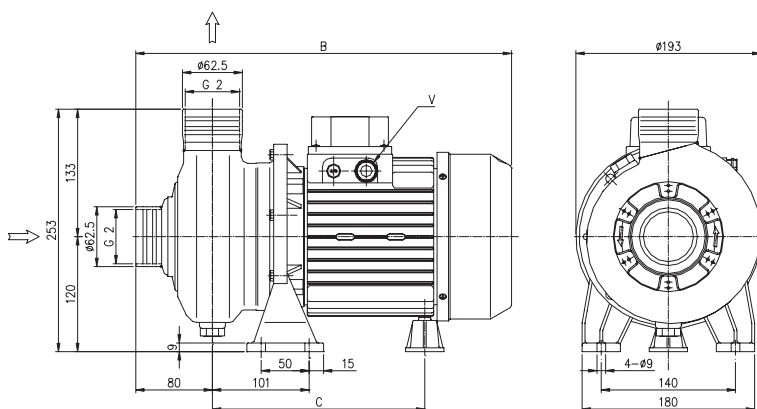
MATERIALS

- AISI 304 stainless pump casing, impeller, mount and shaft
- Ceramic/carbon/EPDM mechanical seal
- Special seals on request (see page 79)
- Connections: -Victaulic
-Threaded
-Hose-end fitting
- Insulation standard issue for V version (Victaulic)
- Increased delivery

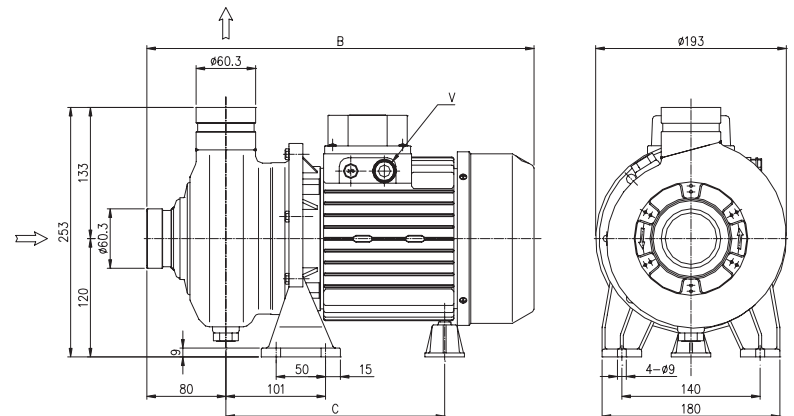
TECHNICAL DATA

- 2 poles self-ventilated motor
- Insulation class F
- Protection degree: IP 55
- Three-phase voltage: 220/380÷460V ±6% 60 Hz
- Suction: - DWC-V Victaulic connections ø2" (60.3mm)
- DWC-N G2 threaded
- Discharge: - DWC-V Victaulic connections ø 2" (60.3mm)
- DWC-N G2 threaded

DWC-N (THREADED CONNECTION)



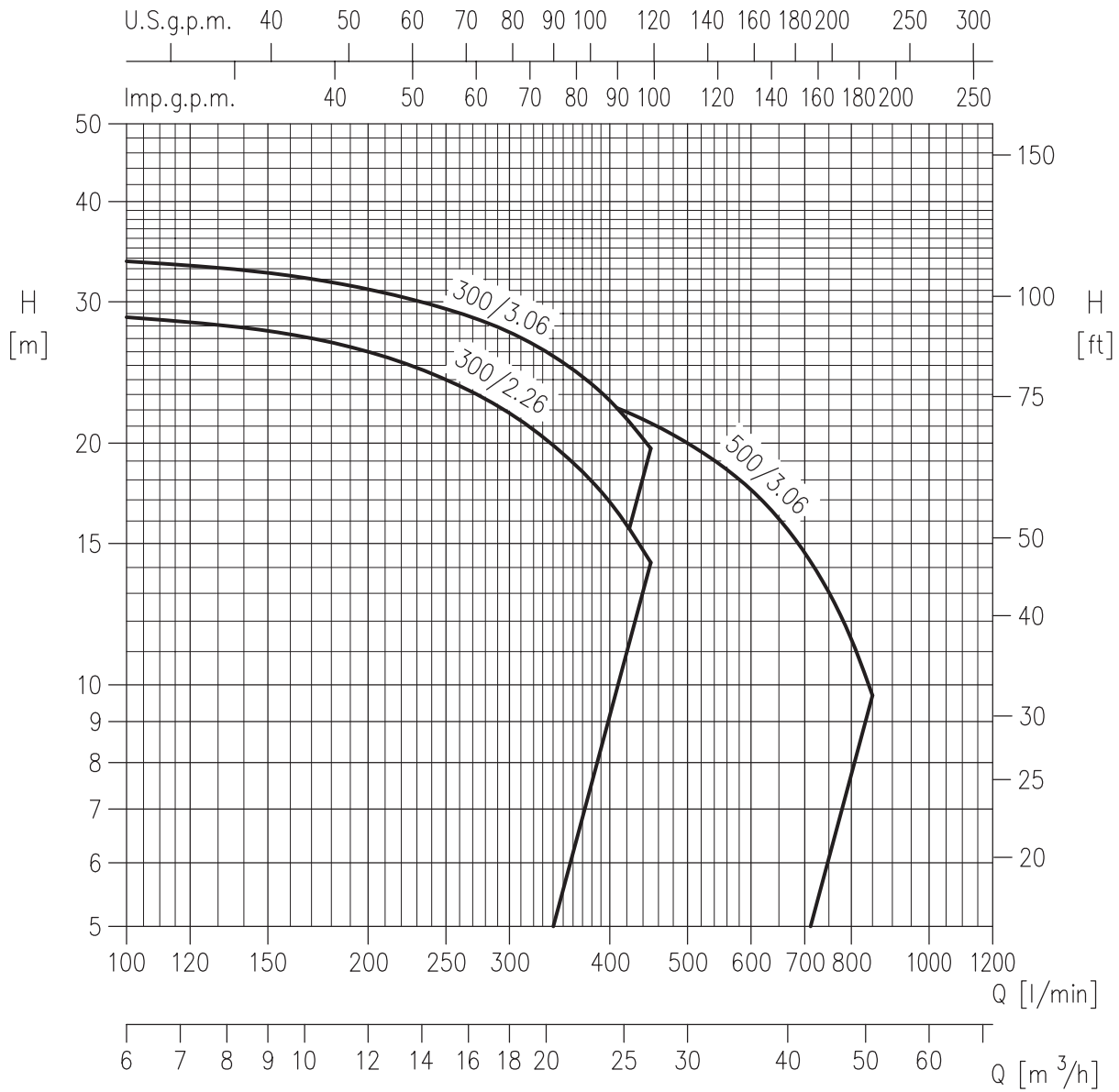
DWC-V (VICTAULIC CONNECTION)



Pump type	Dimensions [mm]			Weight (kg)
	B	C	V	
DWC-N 300/2.26	392	221.5	PG13.5	16,3
DWC-N 300/3.06	392	221.5	PG13.5	19,2
DWC-N 500/3.06	392	221.5	PG13.5	20

Pump type	Dimensions [mm]			Weight (kg)
	B	C	V	
DWC-V 300/2.26	392	221.5	PG13.5	16,3
DWC-V 300/3.06	392	221.5	PG13.5	19,2
DWC-V 500/3.06	392	221.5	PG13.5	20

PERFORMANCE CURVES (according to ISO 9906 Annex A)



Type pumps Three Phase 220/380 V 60 Hz	Power		Absorbed current			Q=Capacity														
	kW	HP	[A]			H=Total head in meters														
			Three Phase			l/min	100	150	200	250	300	350	400	450	500	600	700	800	850	
DWC 300/2.26	2.2	3	6.4	3.7	3.6	30.0	28.7	27.6	26.0	24.0	21.8	19.4	16.9	14.2	-	-	-	-		
DWC 300/3.06	3	4	9.0	5.2	5.0	35.0	33.7	32.6	31.1	29.4	27.5	25.2	22.6	19.7	-	-	-	-		
DWC 500/3.06	3	4	8.8	5.1	4.9	27.0	-	-	25.8	25.1	24.3	23.3	22.3	21.2	20.0	17.5	14.6	11.4	9.7	