

Twin impeller centrifugal pumps with hydraulic components constructed in stainless steel AISI 304, suitable for pressure boosting, water supply, water treatment and irrigation. Air conditioning systems and general water pumping including moderately aggressive liquids



SPECIFICATIONS

- Max working pressure: 8 bar
- Max. water temperature: 60°C
110°C 2CDXH - 2CDXHS

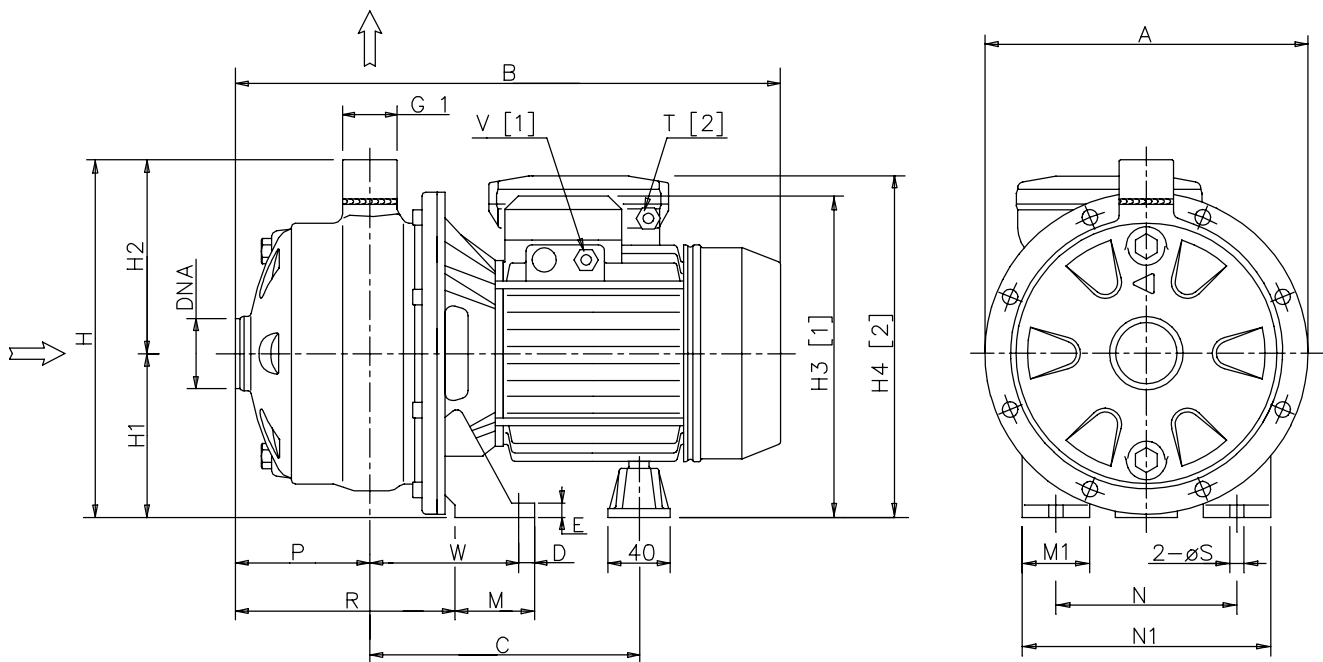
MATERIALS

- Pump body, impeller, diffuser and casing cover in AISI 304
- Shaft in AISI 304
- Bracket and motor casing in aluminium
- Mechanical seal in carbon/ceramic/NBR
- Special mechanical seal are available on demand

TECHNICAL DATA

- T.E.F.C. 2 poles motor
- Insulation class F
- Protection degree IP 55
- Single-phase standard voltage: 220V $\pm 6\%$
- Three-phase standard voltage: 220/380V -6 +10%
- Permanent split capacitor and automatic thermal overload protection for single-phase version
- Thermal protection to be provided by the user for three-phase version
- DNA from 1¹/₄ to 1¹/₂
- DNM 1"

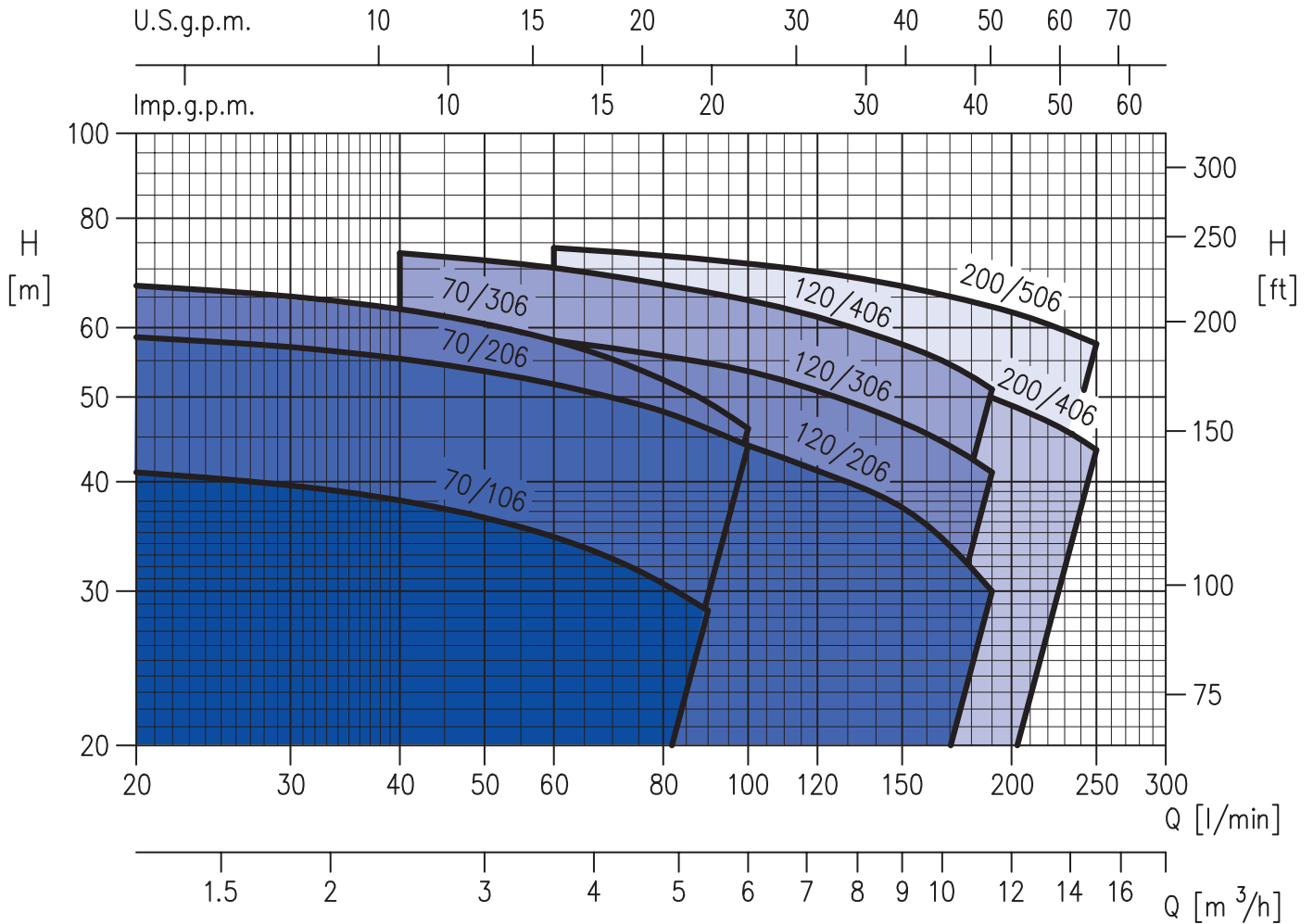
DIMENSIONS



DIMENSIONAL TABLE

Pump type 2CDX(M)	Dimensions [mm]																				Weight [kg]			
	A	B		C	D	E	H	H1	H2	H3	H4	M	M1	N	N1	P	R	S	T	V	W	DNA	1~	3~
70/206	208	380	393	199,5	12,5	8	229	106	123	221,5	242,5	55	40	140	180	87	139,5	Ø9	PG 13.5	PG 11	95	G 1"¼	19,4	19
70/306	208	380	393	199,5	12,5	8	229	106	123	221,5	242,5	55	40	140	180	87	139,5	Ø9	PG 13.5	PG 11	95	G 1"¼	19,7	19,3
120/306	208	395	-	199,5	12,5	8	229	106	123	221,5	-	55	40	140	180	89	141,5	Ø9	-	PG 11	95	G 1"¼	-	16
120/406	208	418,5	-	234,5	12,5	11	229	106	123	226,5	-	65	40	140	180	89	145,5	9,4	-	PG 13.5	109	G 1"¼	-	26
200/406	208	416,5	-	234,5	12,5	11	229	106	123	226,5	-	65	40	140	180	87	143,5	9,4	-	PG 13.5	109	G 1"½	-	24,9
200/506	208	445	-	230,5	16	13	241	118	123	253,5	-	68	50	160	210	87	143,5	12	-	PG 16	108,5	G 1"½	-	31,5

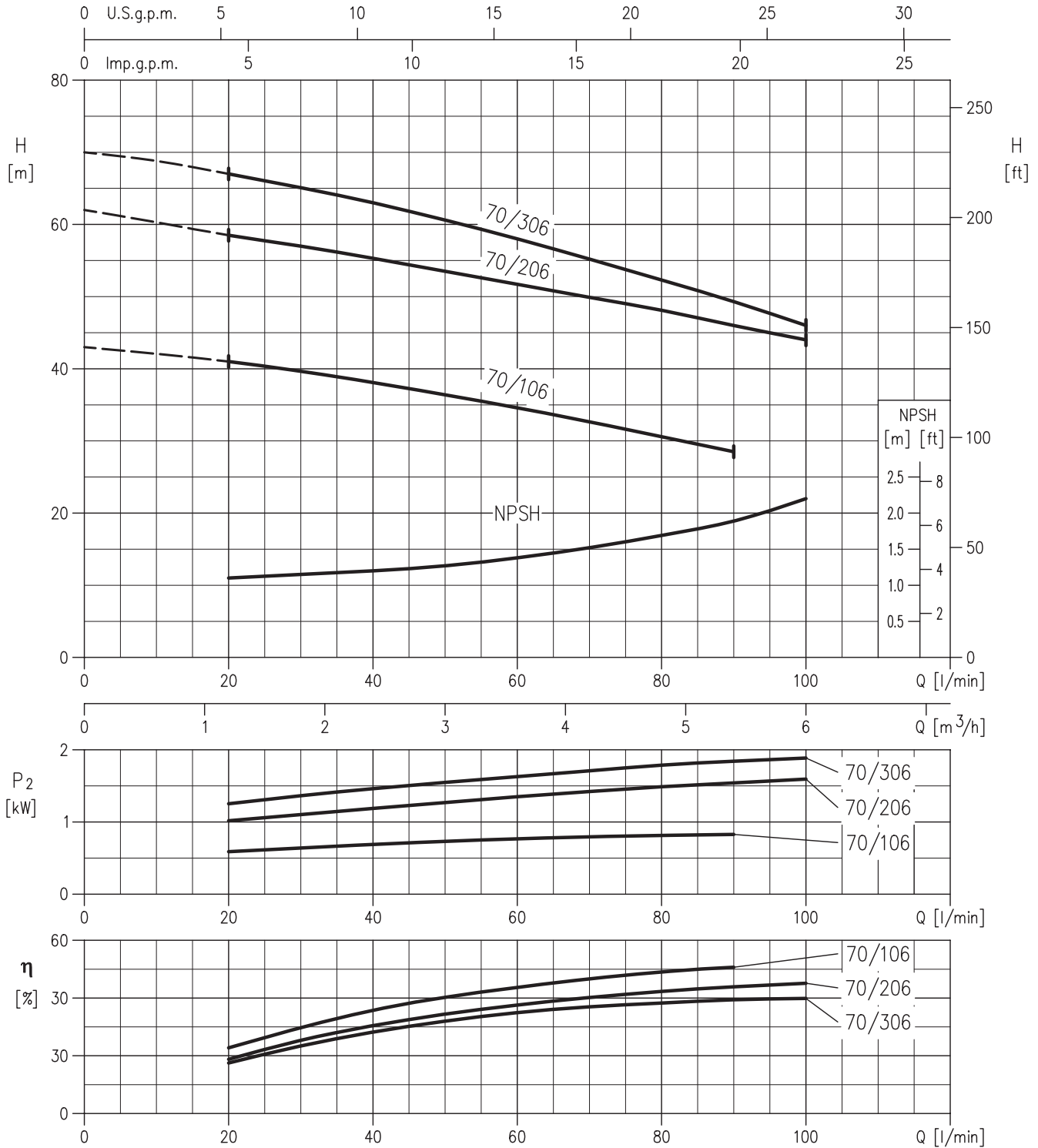
PERFORMANCE CURVES 2CDX series (according to ISO 9906 Annex A)



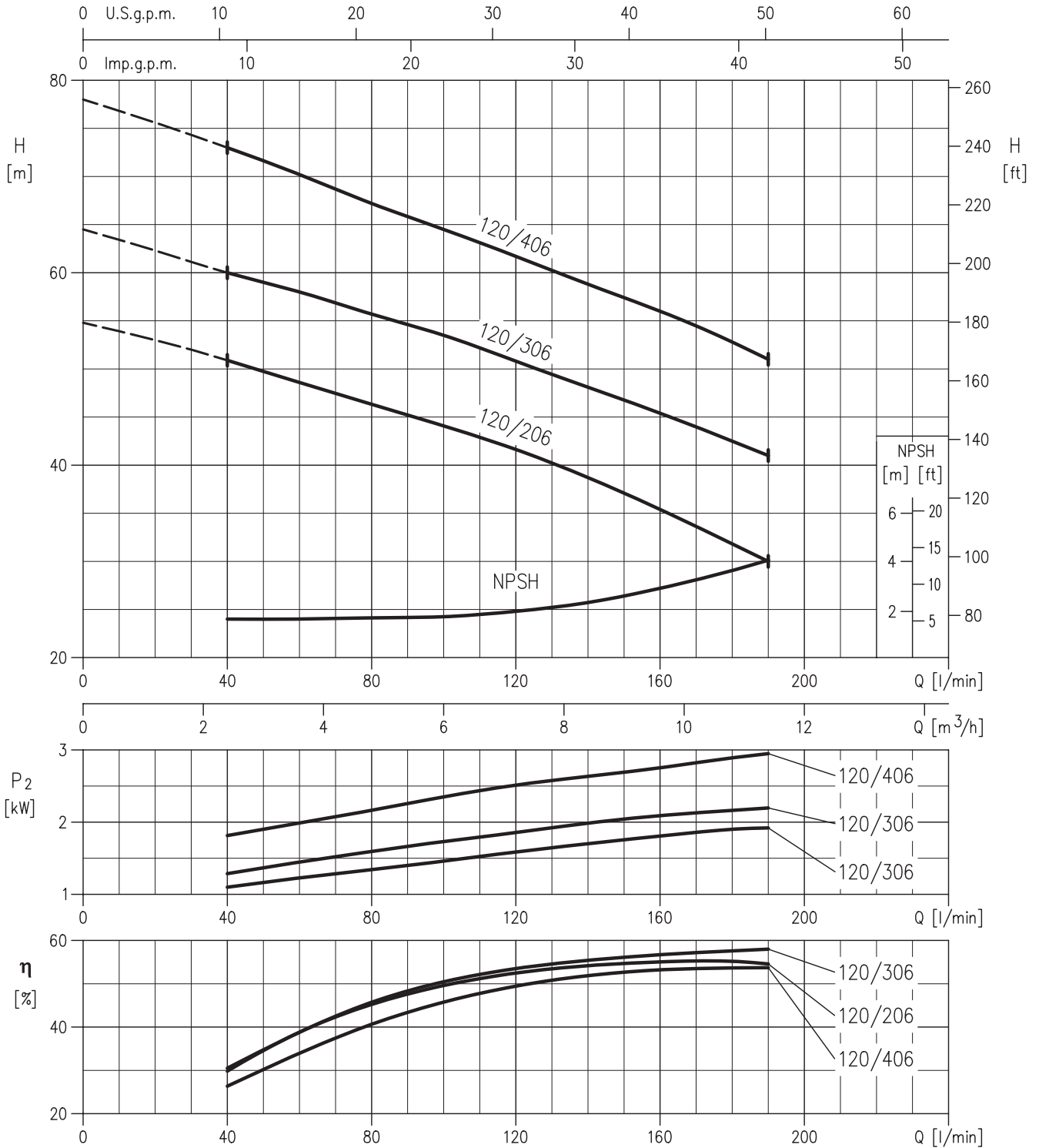
PERFORMANCE TABLE

Pump Type 2CDX		Output		Absorbed current [A]			Q=Capacity										
							H=Total manometric head in meters										
Single-phase	Three-phase	kW	HP	Single-phase	Three-phase		l/min 20	40	60	100	120	140	160	190	240	250	
					220V	380V	m³/h 1.2	2.4	3.6	6	7.2	8.4	9.6	11.4	14.4	15	
2CDXM 70/206	2CDX 70/206	1.5	2	10,1	6,1	3,5	58.7	55.3	51.7	43.7	-	-	-	-	-	-	
2CDXM 70/306	2CDX 70/306	2.2	3	11,6	7,1	4,1	66.7	62.6	58	45.7	-	-	-	-	-	-	
-	2CDX 120/306	2.2	3	-	8,3	4,8	-	60.5	58.2	53.5	51	48	45.4	40.9	-	-	
-	2CDX 120/406	3	4	-	10,9	6,3	-	72.8	70	64.5	62	59.7	57	51.3	-	-	
-	2CDX 200/406	3	4	-	10,4	6	-	-	55.9	57	55.5	54	52.4	49.9	44.7	43.6	
-	2CDX 200/506	4	5.5	-	15,6	9	-	-	75.3	72.3	70.7	69	67.4	64.4	58.7	57.5	

PERFORMANCE CURVES 2CDX 70 series (according to ISO 9906 Annex A)



PERFORMANCE CURVES 2CDX 120 series (according to ISO 9906 Annex A)



PERFORMANCE CURVES 2CDX 200 series (according to ISO 9906 Annex A)

